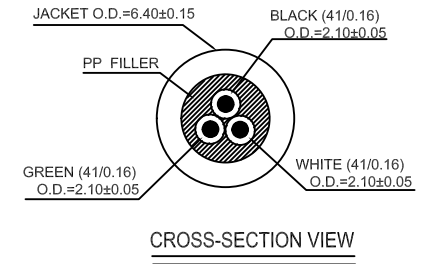
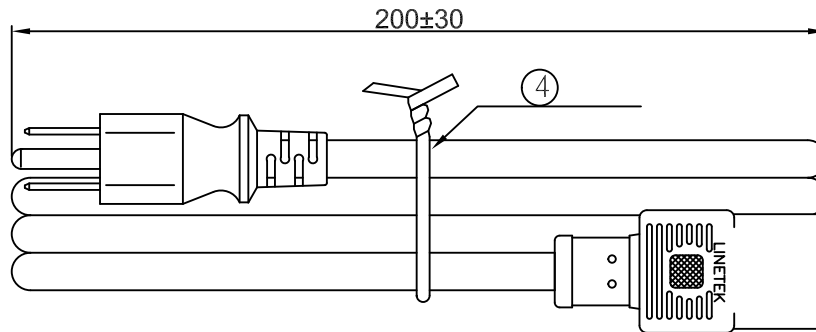


CABLE MARKING : (UL) E138949-E SVT 3/C 18AWG(0.824mm²) 75°C 300V VW-1 --LINETEK--
 CSA LL90989 SVT 3/C 18AWG(0.824mm²) 60°C 300V FT2 "LF" ...



Notes:

- 1:CABLE: THE CORD SHALL COMPLY WITH UL 62, 1581
- 2:PLUG: TYPE:NEMA 5-15P
 THE PLUG SHALL COMPLY WITH UL 817 AND CSA 22.2 NO.21-95,42M
- 3:CONNECTOR: THE CONNECTOR SHALL COMPLY WITH IEC60320-1 STANDARD (C13 CONNECTOR).
- 4:THE PRODUCT SHALL BE TESTED 100% FOR ALL SAFETY ELECTRICAL ITEMS
- 5:COLOR:BLACK(EA0000)
- 6.PRINT: INDENT PRINT
- 7.THE PRODUCT SHOULD COMPLY WITH RoHS STANDARD.

| ITEM | DESCRIPTION | Q'TY | U/M |
|------|----------------------------------|------|-----|
| 4 | PE MINI TIE: BLACK | 1 | EA |
| 3 | MOLDED CONNECTOR: LS-13 10A/125V | 1 | EA |
| 2 | MOLDED PLUG: LP-30B 10A/125V | 1 | EA |
| 1 | SVT #18/3C BLACK | 1 | EA |

| | | |
|---|-------------------------------|---|
| Tolerance: >0±0.3 >1±0.5 >10±1 >20±2 Angle: ±1° | Approved by: James | http://www.sparklepower.com/ Customer : Customer P/N: PCR-B3US-183C Everfull P/N: |
| | Checked by: kenneth | |
| | Drawn by: Zengxia | |
| | Date: 2011.07.13 | |
| | Scale: X Unit: mm | |
| DWG. NO: GL11060142 | | REV: 1 |
| SHEET 1 OF 1 | | |
| Specification Use Only | | |

| REV | ECN NO | DESCRIPTION | APPD. | DATE |
|-----|--------|------------------|---------|------------|
| 1 | | Original Picture | Zengxia | 2011.07.13 |