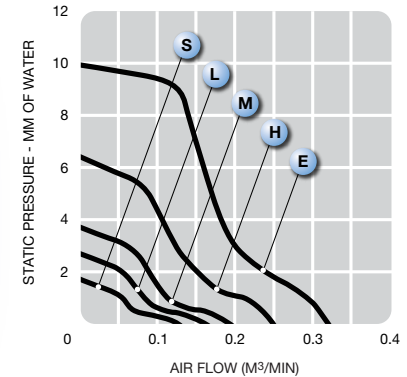
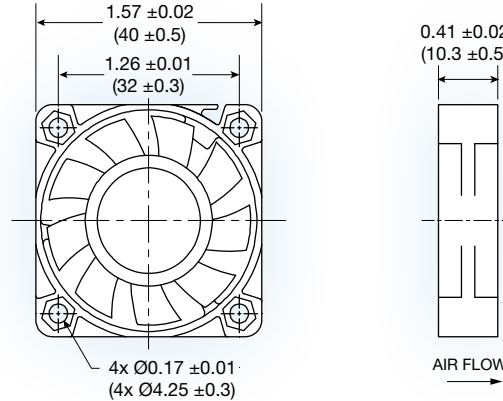


G4010 series

**(40 x 40 x 10.3 mm)**

1.57 x 1.57 x 0.41 inches

Construction: UL94V-0 PBT impeller & frame

Bearing option: ball bearing

Connection: AWG 26, UL1061 lead wires

Frame: ribbed

Protection: thermal

Options: tachometer output or locked rotor alarm signal

Model No.	Rated Voltage V	Current mA			Speed RPM	Air Volume		Max. Static Pressure (H ₂ O)		Sound Noise dB _A	Weight g
		5	12	24		M ³ /Min.	CFM	MM	INCH		
G4010S	5/12	90	60	-	4,000	0.13	5.00	1.70	0.07	21	12
G4010L	5/12/24	140	100	70	5,000	0.16	6.00	2.70	0.11	22	12
G4010M	5/12/24	240	150	100	6,000	0.19	7.00	3.70	0.15	28	12
G4010H	5/12/24	400	220	160	8,000	0.25	9.00	6.40	0.25	35	12
G4010E	12/24	-	350	250	10,000	0.32	11.00	9.90	0.39	41	12