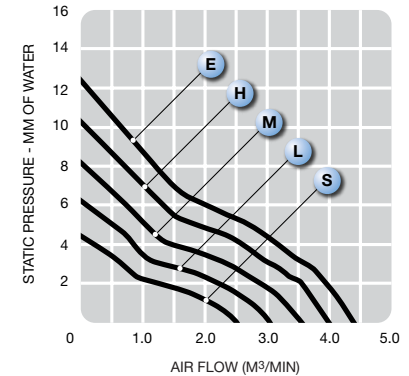
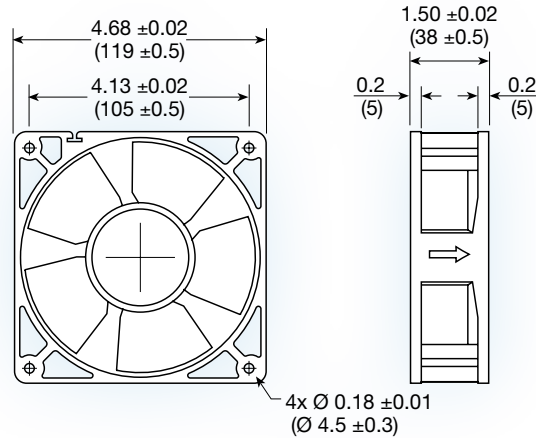


G1238 series

**(120 x 120 x 38 mm)**

4.69 x 4.69 x 1.5 inches

Construction: UL94V-0 PBT impeller & frame

Bearing option: ball bearing

Connection: AWG 24, UL1007 lead wires

Frame: flanged

Protection: thermal

Options: tachometer output or locked rotor alarm signal; encapsulated motor; PWM speed control

Model No.	Rated Voltage V	Current mA			Speed RPM	Air Volume		Max. Static Pressure (H ₂ O)		Sound Noise dB(A)	Weight g
		12	24	48		M ³ /Min.	CFM	MM	INCH		
G1238S	12/24/48	250	180	80	2,000	2.50	88	4.39	0.17	34	336
G1238L	12/24/48	400	250	130	2,400	3.03	107	6.22	0.24	38	336
G1238M	12/24/48	600	330	180	2,800	3.54	125	8.16	0.32	43	336
G1238H	12/24/48	750	450	250	3,200	3.99	141	10.31	0.41	46	336
G1238E	12/24/48	1200	600	330	3,600	4.46	158	12.45	0.49	49	336