

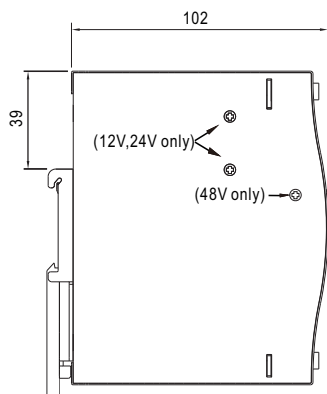




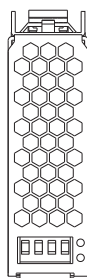


**Mechanical Specification**

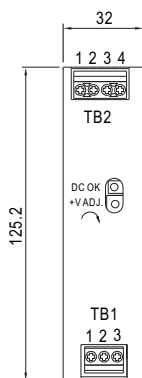
Case No.221B Unit:mm



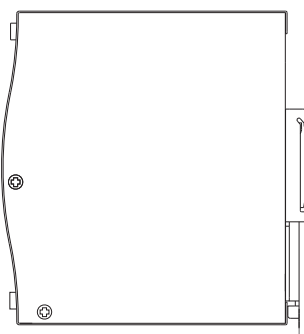
Side View



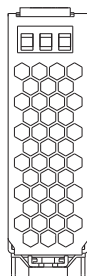
Top View



Front View



Side View



Bottom View

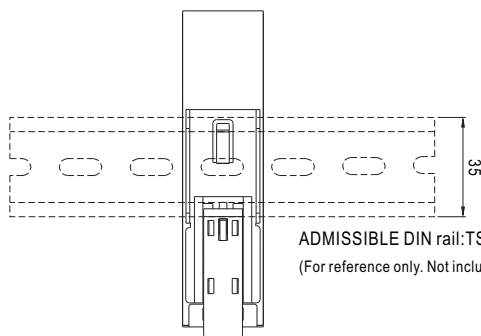
**Terminal Pin No. Assignment (TB1)**

Pin No.	Assignment
1	FG ⊕
2	AC/N or DC -
3	AC/L or DC +

**Terminal Pin No. Assignment (TB2)**

Pin No.	Assignment
1,2	DC OUTPUT -V
3,4	DC OUTPUT +V

**Installation Instruction**



Back View

ADMISSIBLE DIN rail: TS35/7.5 OR TS35/15  
(For reference only. Not included with unit.)

This series fits DIN rail TS35/7.5 or TS35/15.  
For installation details, please refer to the Instruction manual.

**Installation Manual**

Please refer to : <http://www.meanwell.com/manual.html>