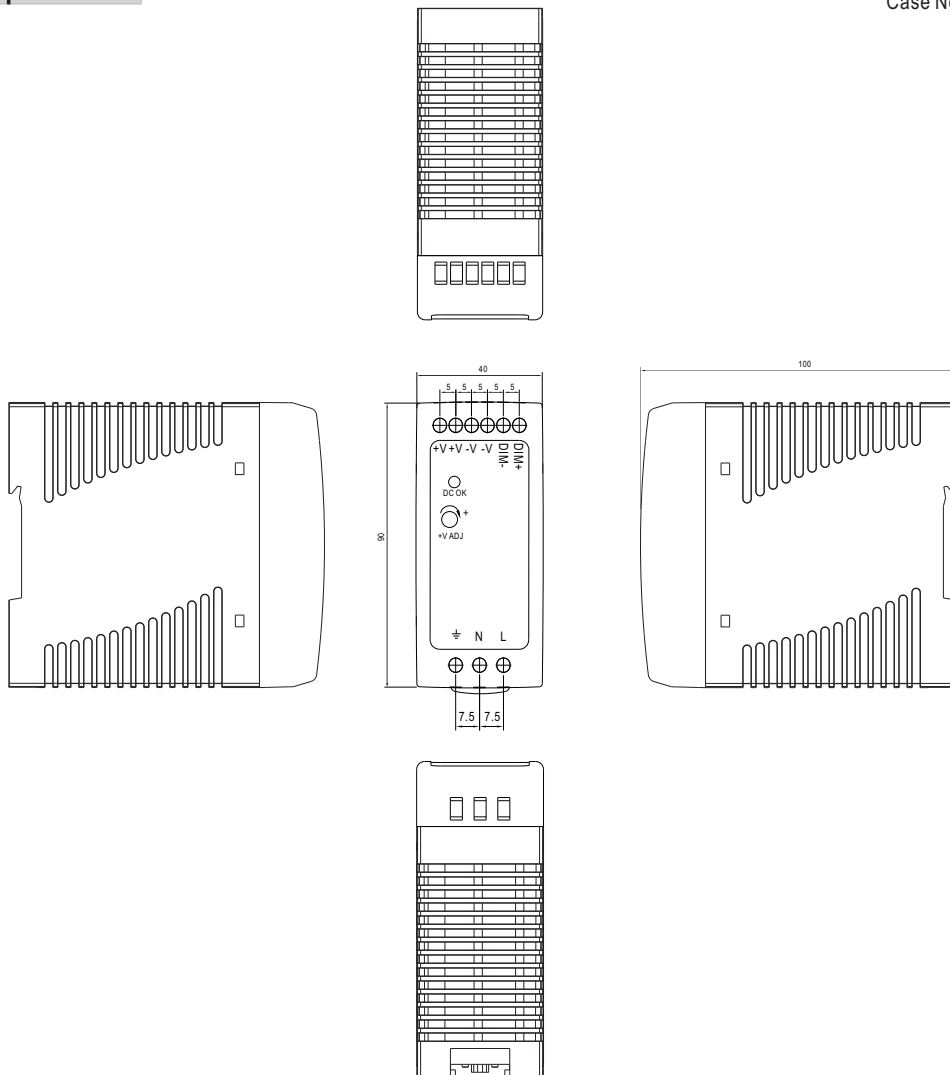
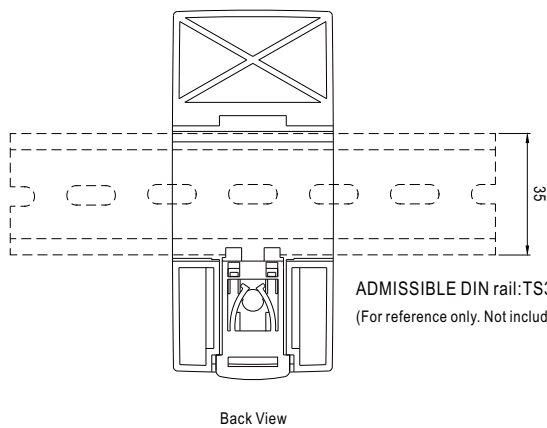


Mechanical Specification

Case No.962A Unit:mm



Installation Instruction



This series fits DIN rail TS35/7.5 or TS35/15.
For installation details, please refer to the Instruction manual.

ADMISSIBLE DIN rail: TS35/7.5 OR TS35/15
(For reference only. Not included with unit.)

Back View

Installation Manual

Please refer to : <http://www.meanwell.com/manual.html>