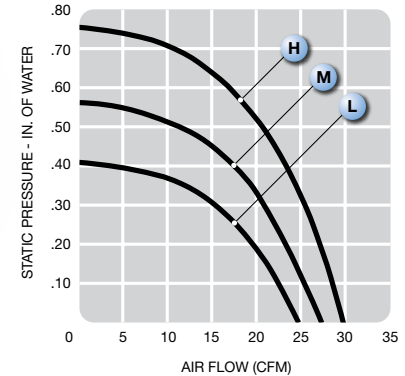
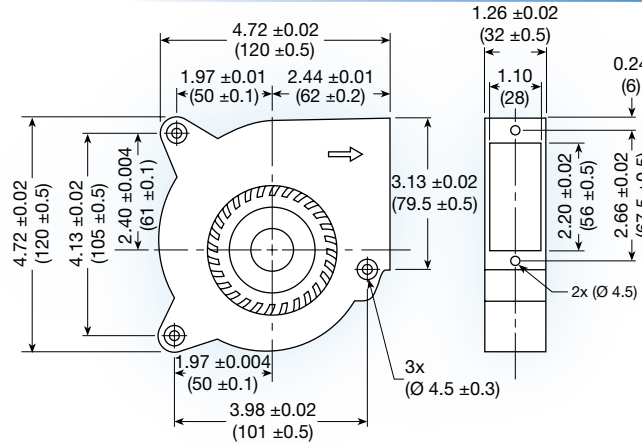


# B1232 series



**(120 x 120 x 32 mm)**

4.7 x 4.7 x 1.24 inches

Construction: UL94V-0 PBT impeller & frame

Bearing option: ball bearing

Connection: AWG 24, UL1007 lead wires

Protection: thermal

Options: tachometer output or locked rotor alarm signal; PWM speed control

Model No.	Rated Voltage V	Current mA		Speed RPM	Air Volume		Max. Static Pressure (H <sub>2</sub> O)		Sound Noise dB A	Weight g
		12	24		M <sup>3</sup> /Min.	CFM	MM	INCH		
<b>B1232L</b>	12/24	360	180	2,100	0.59	21	8.37	0.33	42	320
<b>B1232M</b>	12/24	550	330	2,400	0.67	24	11.53	0.45	46	320
<b>B1232H</b>	12/24	800	480	2,800	0.80	28	17.24	0.68	49	320