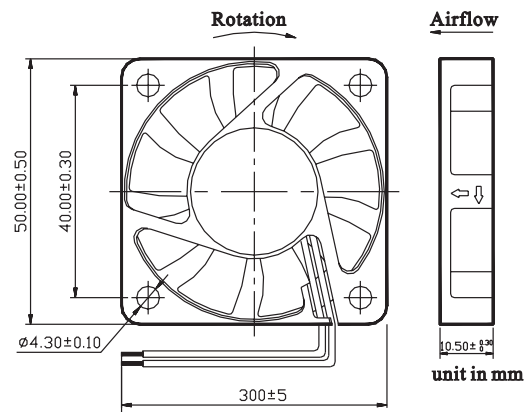
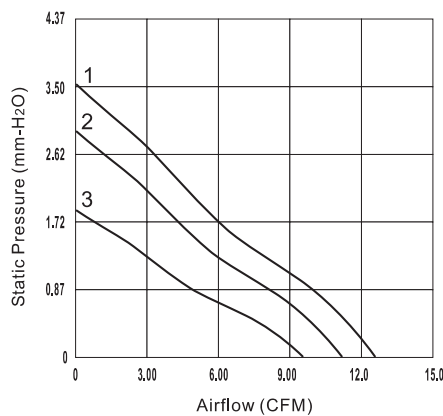
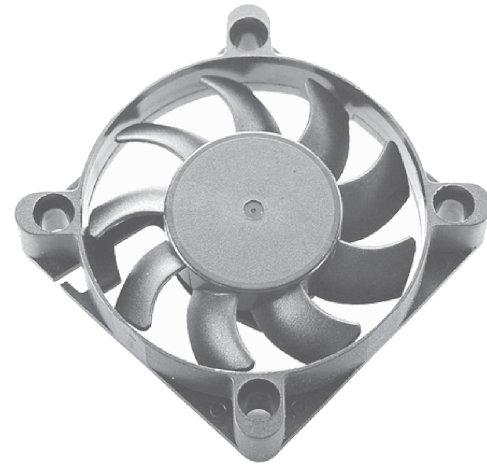


- ◆ Airflow: 9.5~12.5 CFM
- ◆ Static Pressure: 1.9~3.5 mm-H<sub>2</sub>O
- ◆ Blade / Housing:  
Plastic Material UL 94-0 P.B.T.
- ◆ Lead Wire: UL1007 #26 AWG
- ◆ Weight: 20 g
- ◆ Bearing Type: 1-Ball 1-Sleeve
- ◆ Voltage: 12,24 VDC



**PERFORMANCE P-Q CURVE**

**OUTLINE DIMENSIONS**

Model No.	Rated Voltage (VDC)	Starting Voltage (VDC)	Operating Voltage Range (VDC)	Speed (RPM)	Max. Airflow (CFM)	Max. Static Pressure (mm-H <sub>2</sub> O)	Current (mA)	Power Consumption (W)	Life at 40°C (L-10)/Hour	P-Q Curve	Noise Level (dB(A))
YW05011012DL	12	7	7~13.2	4000	9.5	1.9	90	1.08	50000	3	26.5
YW05011012DM	12	7	7~13.2	4800	11.5	2.9	120	1.44	50000	2	30.0
YW05011012DH	12	7	7~13.2	5400	12.5	3.5	140	1.68	50000	1	35.0
YW05011024DM	24	12	12~26.4	4800	11.5	2.9	100	2.40	50000	2	30.0