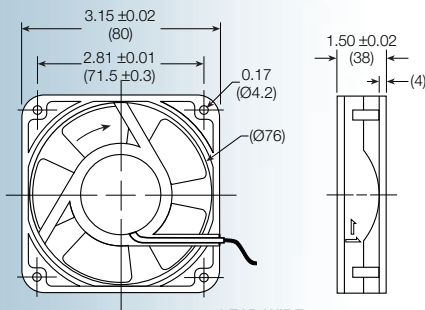
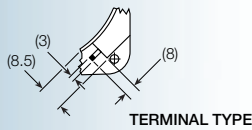


# AC

## UF80A series



LEAD WIRE



TERMINAL TYPE

**Size: (80 x 80 x 38 mm)**  
**3.15 x 3.15 x 1.5 inches**

**Operating voltage (VAC):** 115 or 230

**Construction:** aluminum die cast frame;  
UL94V-0 PBT impeller

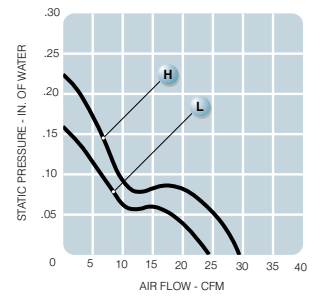
**Bearing option:** motor quality ball bearings or  
sintered bronze sleeve

**Motor:** shaded pole

**Air flow:** exhaust over struts

**Connection:** terminal or 22 AWG lead wire

**Protection:** impedance



Model No.	Rated Voltage V	Freq. HZ	Input Power W	Rated Cur. A	Locked Cur. A	Speed RPM	Air Volume		Max Static Pressure (H <sub>2</sub> O)		Sound Noise dB	Wt OZ
							M <sup>3</sup> /Min	CFM	MM	INCH		
UF80A12-__H	115	60	9	0.12	0.13	3,000	0.83	30	5.5	0.22	36	10.0
UF80A23-__H	230	60	12	0.06	0.07	3,000	0.83	30	5.5	0.22	36	10.0
UF80A12-__L	115	60	9	0.10	0.11	2,400	0.70	25	4.0	0.16	32	10.0
UF80A23-__L	230	60	12	0.05	0.06	2,400	0.70	25	4.0	0.16	32	10.0