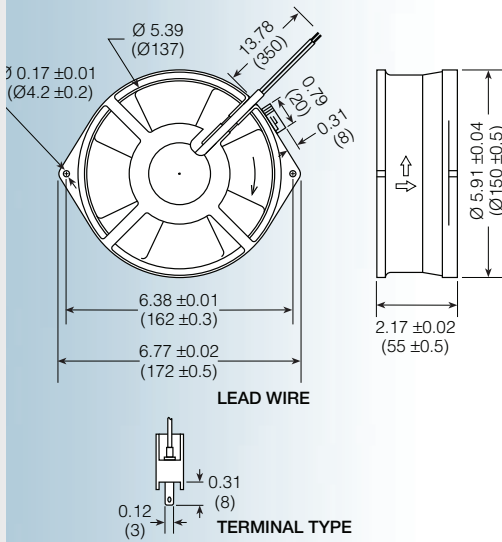


# AC

## UF15KM series



**Size: (172 x 150 x 55 mm)  
6.77 x 5.91 x 2.17 inches**

**Features:** *metal frame and impeller;  
Class F (155°) insulation;  
operating temperature range  
-40°C ~ 90°C; high-temp bearing  
lubricant*

**Operating voltage (VAC):** 115 or 230

**Construction:** aluminum die cast frame;  
metal impeller

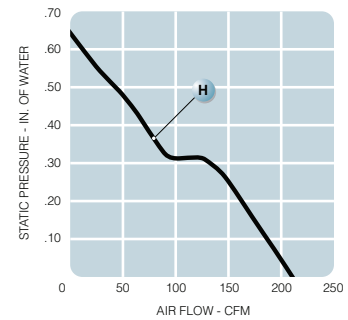
**Bearing option:** motor quality ball bearings

**Motor:** shaded pole

**Air flow:** exhaust over struts

**Connection:** terminal or 22 AWG lead wire

**Protection:** thermal



Model No.	Rated Voltage V	Freq. HZ	Input Power W	Rated Cur. A	Locked Cur. A	Speed RPM	Air Volume		Max Static Pressure (H <sub>2</sub> O)		Sound Noise dB	Wt OZ
							M <sup>3</sup> /Min	CFM	MM	INCH		
UF15KM12-__H	115	60	42	.047	0.75	3,250	6.5	230	16	0.63	53	39
UF15KM23-__H	230	60	42	.023	0.37	3,250	6.5	230	16	0.63	53	39