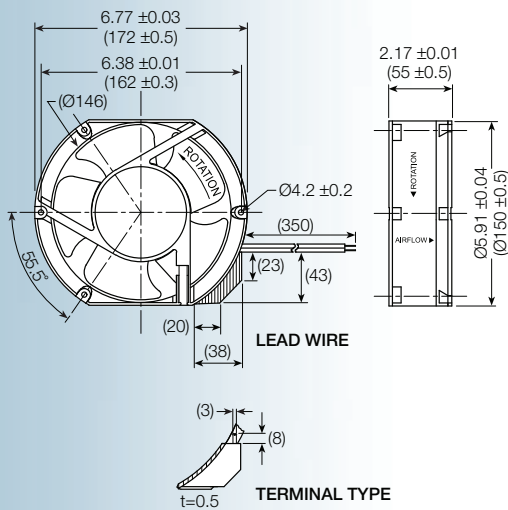


AC

UF15KC series



Size: (172 x 150 x 55 mm)
6.77 x 5.91 x 2.17 inches

Features: capacitor start motor;
Class B insulation

Operating voltage (VAC): 115 or 230

Construction: aluminum die cast frame;
UL94V-0 PBT impeller

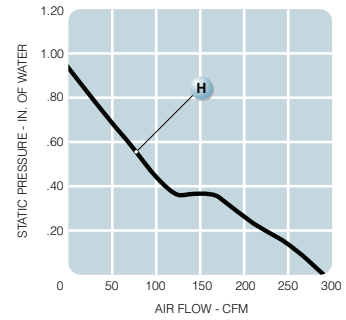
Bearing option: motor quality ball bearings

Motor: capacitor start

Air flow: exhaust over struts

Connection: terminal or 22 AWG lead wire

Protection: thermal



Model No.	Rated Voltage V	Freq. HZ	Input Power W	Rated Cur. A	Locked Cur. A	Speed RPM	Air Volume		Max Static Pressure (H ₂ O)		Sound Noise dB	Wt LBS
							M ³ /Min	CFM	MM	INCH		
UF15KC12-__H	115	60	38	.034	0.76	3400	8.3	293	23	0.90	60	2.3
UF15KC23-__H	230	60	38	.017	0.38	3400	8.3	293	23	0.90	60	2.3