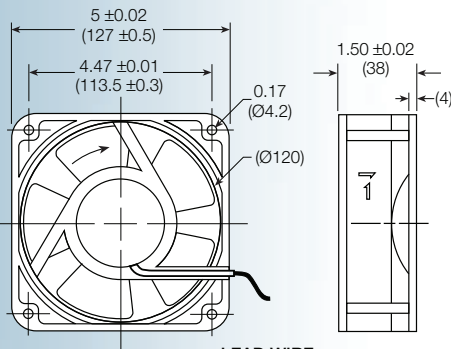
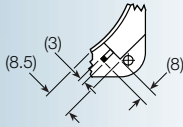


AC

UF13A series



LEAD WIRE



TERMINAL TYPE

**Size: (127 x 127 x 38 mm)
5.0 x 5.0 x 1.5 inches**

Operating voltage (VAC): 115 or 230

Construction: aluminum die cast frame;
UL94V-0 PBT impeller

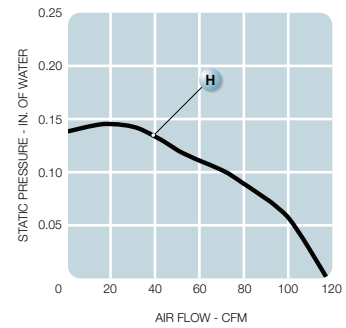
Bearing option: motor quality ball bearings or
sintered bronze sleeve

Motor: shaded pole

Air flow: exhaust over struts

Connection: terminal or 22 AWG lead wire

Protection: impedance



| Model No. | Rated Voltage V | Freq. HZ | Input Power W | Rated Cur. A | Locked Cur. A | Speed RPM | Air Volume | | Max Static Pressure (H ₂ O) | | Sound Noise dB | Wt OZ |
|-------------|--------------------|-------------|------------------|-----------------|------------------|--------------|---------------------|-----|--|------|-------------------|----------|
| | | | | | | | M ³ /Min | CFM | MM | INCH | | |
| UF13A12-__H | 115 | 60 | 12 | 0.16 | 0.23 | 3,000 | 3.4 | 120 | 3.5 | 0.14 | 50 | 19.4 |
| UF13A23-__H | 230 | 60 | 15 | 0.09 | 0.11 | 3,000 | 3.4 | 120 | 3.5 | 0.14 | 50 | 19.4 |