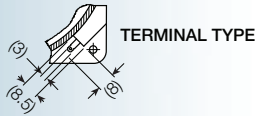
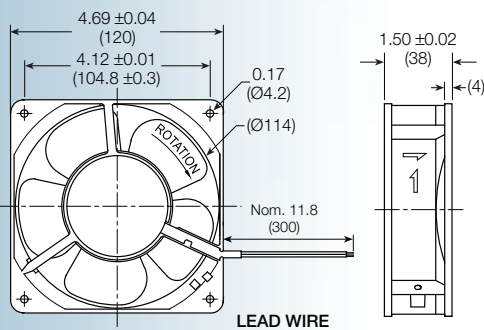


AC

UF12A series



**Size: (120 x 120 x 38 mm)
4.69 x 4.69 x 1.5 inches**

Operating voltage (VAC): 115 or 230

Construction: aluminum die cast frame;
UL94V-0 PBT impeller

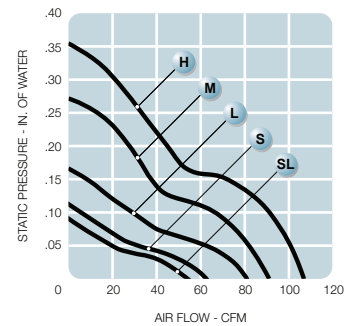
Bearing option: motor quality ball bearings or
sintered bronze sleeve

Motor: shaded pole

Air flow: exhaust over struts

Connection: terminal or 22 AWG lead wire

Protection: impedance



Model No.	Rated Voltage V	Freq. HZ	Input Power W	Rated Cur. A	Locked Cur. A	Speed RPM	Air Volume		Max Static Pressure (H ₂ O)		Sound Noise dB	Wt OZ
							M ³ /Min	CFM	MM	INCH		
UF12A12-__H	115	60	12	0.16	0.23	3,100	3.0	106	8.7	0.35	46	18.7
UF12A23-__H	230	60	15	0.08	0.12	3,100	3.0	106	8.7	0.35	46	18.7
UF12A12-__M	115	60	12	0.17	0.19	2,750	2.6	92	7.0	0.28	42	18.7
UF12A23-__M	230	60	15	0.08	0.09	2,750	2.6	92	7.0	0.28	42	18.7
UF12A12-__L	115	60	12	0.15	0.16	2,300	2.3	81	4.0	0.16	38	18.7
UF12A23-__L	230	60	15	0.07	0.08	2,300	2.3	81	4.0	0.16	38	18.7
UF12A12-__S	115	60	8	0.08	0.09	2,100	1.8	64	2.8	0.11	37	18.7
UF12A23-__S	230	60	8	0.04	0.05	2,100	1.8	64	2.8	0.11	37	18.7
UF12A12-__SL	115	60	6	0.06	0.07	1,800	1.6	57	2.3	0.09	36	18.7
UF12A23-__SL	230	60	6	0.03	0.04	1,800	1.6	57	2.3	0.09	36	18.7