





## Features

- \* Universal Input Range: 90-264VAC
  - \* Active PFC Meets EN61000-3-2
  - \* Conductive EMI Meets CISPR/FCC Class B
  - \* Continuous Short Circuit Protection
  - \* Over Voltage Protection
  - \* Meet CEC & ErP Level V
- (Output Cable Length  $\leq$  1800mm)  
 (TRG150A120: Output Cable Length  $\leq$  950mm)  
 (TRG150A150~190: Output Cable Length  $\leq$  1220mm)  
 (TRG150A240~480: Output Cable Length  $\leq$  1800mm)



## Ordering information

<b>TRG150Axxx- xx</b>	<b>X</b>	<b>XX</b>
Model No.	DC Plug Type	DC Cable Length and Type
	OVP	471:950mm with Ferrite Core
	E: WITH OVP	510:950mm with Ferrite Core
		12: 1200mm with Ferrite Core
		13: 1800mm with Ferrite Core
		*471 : 18AWG/UL2464
		510&12 & 13 : 16AWG/UL2464

MODEL	OUTPUT VOLTAGE	MIN. LOAD	OUTPUT CURRENT	RIPPLE & NOISE	VOLTAGE SETPOINT	LINE REGULATION	LOAD REGULATION	% EFF.. (Typ.)
TRG150A120	12V	0A	12.50A	2%	$\pm 2.5\%$	$\pm 1\%$	$\pm 5\%$	87%
TRG150A150	15V	0A	10.00A	2%	$\pm 2.5\%$	$\pm 1\%$	$\pm 5\%$	87%
TRG150A180	18V	0A	8.34A	2%	$\pm 2.5\%$	$\pm 1\%$	$\pm 5\%$	87%
TRG150A190	19V	0A	7.90A	2%	$\pm 2.5\%$	$\pm 1\%$	$\pm 5\%$	87%
TRG150A240	24V	0A	6.25A	2%	$\pm 2.5\%$	$\pm 1\%$	$\pm 5\%$	87%
TRG150A280	28V	0A	5.36A	2%	$\pm 2.5\%$	$\pm 1\%$	$\pm 5\%$	87%
TRG150A300	30V	0A	5.00A	2%	$\pm 2.5\%$	$\pm 1\%$	$\pm 5\%$	87%
TRG150A360	36V	0A	4.17A	2%	$\pm 2.5\%$	$\pm 1\%$	$\pm 5\%$	87%
TRG150A480	48V	0A	3.13A	2%	$\pm 2.5\%$	$\pm 1\%$	$\pm 5\%$	87%

## Specifications

### INPUT SPECIFICATIONS:

Voltage ..... 90~264Vac  
 Frequency ..... 47 to 63Hz  
 Inrush Current ..... 120A max. @240Vac  
 Conducted EMI ..... CISPR/FCC Class B  
 Leakage Current ..... 3.5mA max.

### OUTPUT SPECIFICATIONS:

Holdup Time ..... 8ms typ. @115Vac  
 Short Circuit Protection ..... Continuous  
 Over Voltage Protection ..... Yes

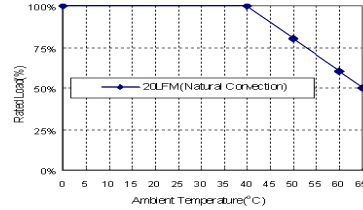
### GENERAL SPECIFICATIONS:

Isolation ..... Input to output = 4,242VDC  
 Operating Temperature ..... 0 ~ 65°C, 40~65°C with 2%/°C Derating  
 Storage Temperature ..... -20~85°C  
 Cooling ..... Natural Convection  
 Switching Frequency ..... 67KHz Typical  
 Dimensions ..... 7.087x2.913x1.614 inches (180.00x74.00x41.00 mm)  
 Weight ..... 950g(2.1Pounds)  
 AC Inlet ..... IEC320/C14

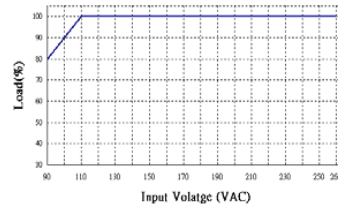
### SAFETY AND EMC:

Emission and Immunity ..... EN55022 Class B, FCC Part 15 Class B  
 EN61000-3-2, EN61000-3-3, EN55024  
 EN61204-3  
 Safety ..... IEC60950-1, EN60950-1, UL60950-1

## TRG150A Series Derating Curve



Low Voltage Wattle Derating Curve



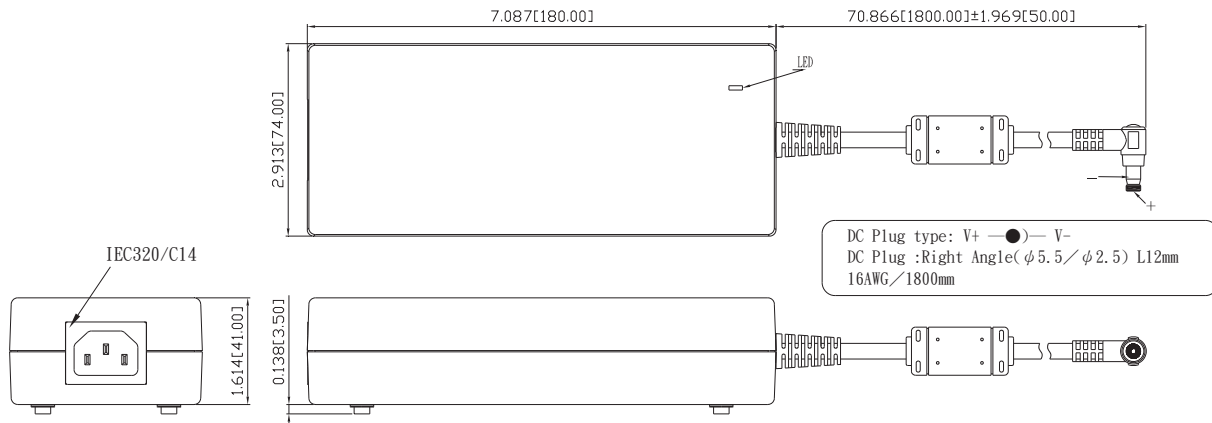
### NOTE:

1. Voltage setpoint at 60% full load
2. Add a 0.1uF ceramic capacitor and a 47uF E.L. capacitor to output for Ripple & Noise measurement @20MHz BW.
3. Line regulation measured from 100Vac to 240Vac with full load.
4. Load regulation measured from 60% to 100% full load and from 60% to 20% full load (60% +/- 40% full load)
5. "Various TRG Series adapters are PSE certified. PSE certification alone is not sufficient for importation into Japan. A valid PSE mark must contain the name of the importer as shown in the example below. If PSE mark is required, the name of the registered importer must be supplied to Cincon on order placement. Product labels will not contain PSE mark if importer name is not supplied. Consult factory or local representative for details"



## Mechanical Specification

All Dimensions are in inches(mm)  
 Tolerance: Inches: X.XXX±0.02  
 Millimeters: X.XX±0.5  
 UNIT: inches(mm)



Typical at 25°C, nominal line and 60% load, unless otherwise Specified