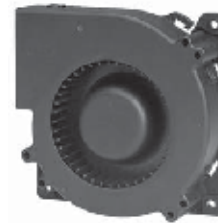
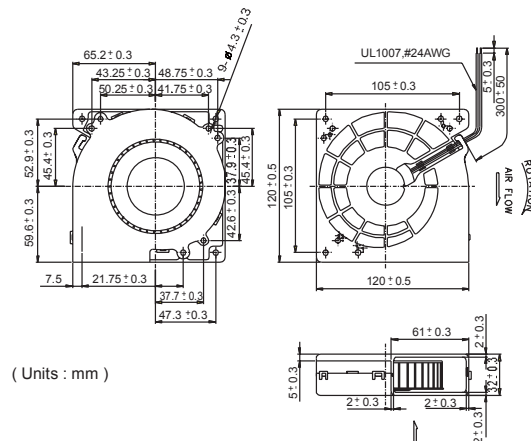
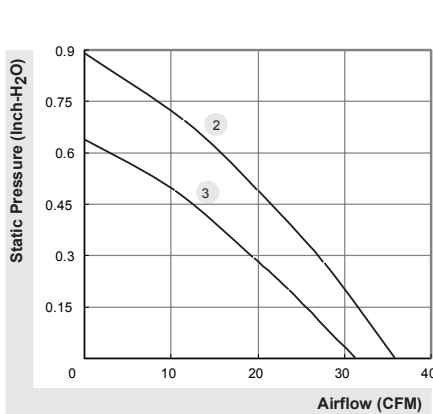


120x120x32 mm

31.4~35.9 CFM



Model	P/N	Bearing ● 2BALL ○ Sleeve	Rating Voltage (VDC)	Power Current (AMP)	Power Consumption (WATTS)	Speed (RPM)	Air Flow (CFM)	Static Pressure (Inch-H ₂ O)	Noise (dBA)	Weight (g)	Curve
PMB1212PLB2-A	(2).GN	●	12	0.82	9.8	2500	35.9	0.89	53.8	250	1
PMB1212PLB3-A	(2).GN	●	12	0.45	5.4	2100	31.4	0.64	49.6	250	2
PMB2412PLB2-A	(2).GN	●	24	0.38	9.1	2500	35.9	0.89	53.8	250	1
PMB2412PLB3-A	(2).GN	●	24	0.24	5.8	2100	31.4	0.64	49.6	250	2
PMB4812PLB3-A	(2).GN	●	48	0.12	5.8	2100	31.4	0.64	49.6	250	2



*All model could be customized. Please contact with Sunon Sales.

*Specifications subject to change without notice. Please Visit SUNON web site at <http://www.sunon.com> for update information.