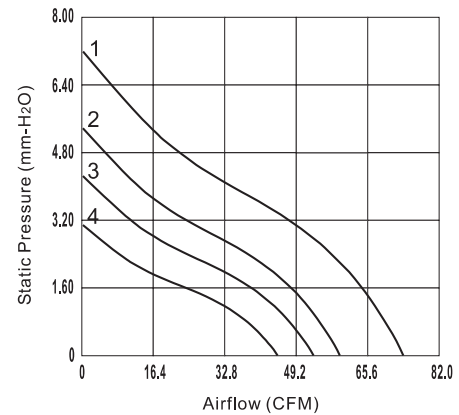
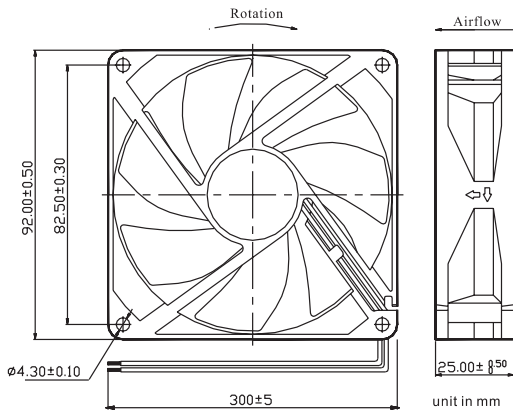


- ◆ Airflow: 45.8~73.4 CFM
- ◆ Static Pressure: 3.1~7.2 mm-H<sub>2</sub>O
- ◆ Blade / Housing:  
Plastic Material UL 94-0 P.B.T.
- ◆ Lead Wire: UL1007 #24 AWG
- ◆ Weight: 100 g
- ◆ Bearing Type: 2-Ball, Sleeve
- ◆ Function: 1,2,3,4,5,6,7, & 12
- ◆ Voltage: 12, 24, 48 VDC



**OUTLINE DIMENSIONS**

**PERFORMANCE P-Q CURVE**

Model No.	Rated Voltage (VDC)	Starting Voltage (VDC)	Operating Voltage Range (VDC)	Speed (RPM)	Max. Airflow (CFM)	Max. Static Pressure (mm-H <sub>2</sub> O)	Current (mA)	Power Consumption (W)	Life at 40°C (L10/Hour)	P-Q Curve	Noise (dB)
NYW09225012BL	12	7	7~13.2	2400	45.8	3.1	150	1.80	80000	4	32.0
NYW09225012BM	12	7	7~13.2	2800	53.5	4.3	220	2.64	80000	3	38.0
NYW09225012BH	12	7	7~13.2	3100	58.5	5.2	260	3.12	75000	2	40.0
NYW09225012BSS	12	7	7~13.2	3800	73.4	7.2	470	5.64	75000	1	45.0
NYW09225024SL	24	12	12~26.4	2400	45.8	3.1	90	2.16	30000	4	32.0
NYW09225024SM	24	12	12~26.4	2800	53.5	4.3	120	2.88	30000	3	38.0
NYW09225024SH	24	12	12~26.4	3100	58.5	5.2	160	3.84	30000	2	40.0
NYW09225024SSS	24	12	12~26.4	3800	73.4	7.2	270	6.48	30000	1	45.0
NYW09225024BL	24	12	12~26.4	2400	45.8	3.1	90	2.16	80000	4	32.0
NYW09225024BM	24	12	12~26.4	2800	53.5	4.3	120	2.88	80000	3	38.0
NYW09225024BH	24	12	12~26.4	3100	58.5	5.2	160	3.84	75000	2	40.0
NYW09225024BS	24	12	12~26.4	3500	67.3	5.9	200	2.40	75000	1	43.0
NYW09225048BM	48	24	24~56.0	2800	53.5	4.3	90	4.32	80000	3	38.0
NYW09225048BH	48	24	24~56.0	3100	58.5	5.2	110	5.28	75000	2	40.0
NYW09225048BS	48	24	24~56.0	3500	67.3	5.9	150	7.20	75000	1	43.0