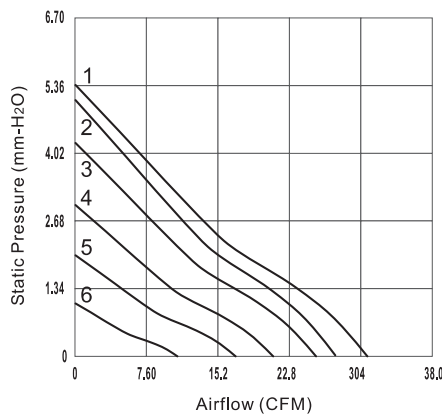
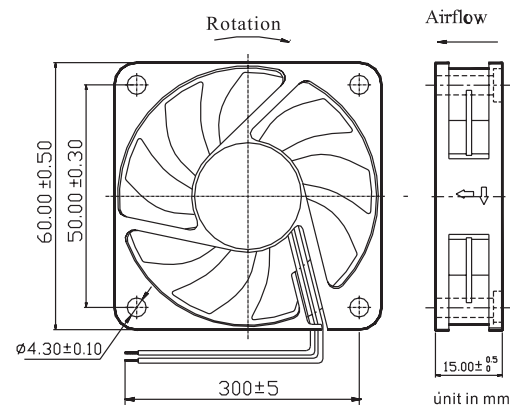


- ◆ Airflow: 15.1~31.3 CFM
- ◆ Static Pressure: 1.8~5.3 mm-H₂O
- ◆ Blade / Housing:
Plastic Material UL 94-0 P.B.T.
- ◆ Lead Wire: UL1007 #26 AWG
- ◆ Weight: 38 g
- ◆ Bearing Type: 2-Ball,
1-Ball 1-Sleeve, Sleeve
- ◆ Function: 1,5 & 6
- ◆ Voltage: 12 VDC



PERFORMANCE P-Q CURVE



OUTLINE DIMENSIONS

Model No.	Rated Voltage (VDC)	Starting Voltage (VDC)	Operating Voltage Range (VDC)	Speed (RPM)	Max. Airflow (CFM)	Max. Static Pressure (mm-H ₂ O)	Current (mA)	Power Consumption (W)	Life at 40°C (L10)/hour	P-Q Curve	Noise Level (dB(A))
NYW06015012SL	12	7	7~13.2	3000	15.1	1.8	75	0.90	30000	-	24.0
NYW06015012SM	12	7	7~13.2	3800	19.8	2.6	160	1.92	30000	6	31.0
NYW06015012SH	12	7	7~13.2	4700	24.1	3.9	220	2.64	30000	4	36.0
NYW06015012SS	12	7	7~13.2	5000	26.6	4.0	250	3.00	30000	2	39.0
NYW06015012BL	12	7	7~13.2	3200	17.1	2.0	75	0.90	80000	-	25.5
NYW06015012BM	12	7	7~13.2	4000	21.0	3.0	140	1.68	80000	5	33.0
NYW06015012BH	12	7	7~13.2	4900	25.6	4.2	220	2.64	75000	3	37.0
NYW06015012BS	12	7	7~13.2	6000	31.3	5.3	400	4.80	75000	1	43.0