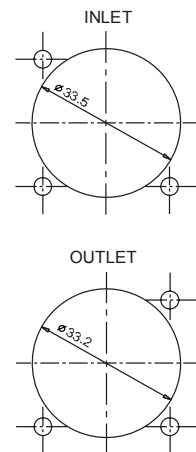
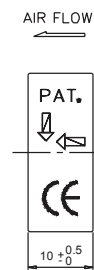
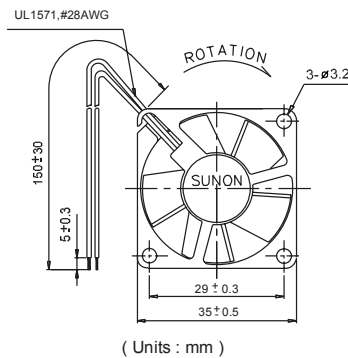
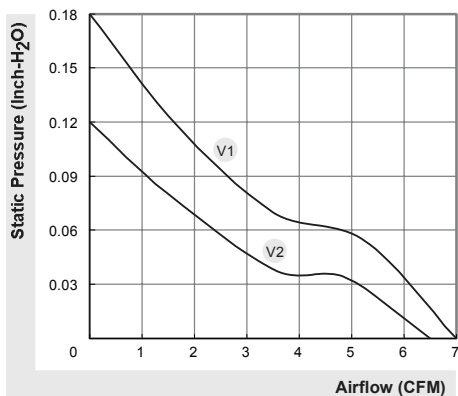


## MagLev Green Motor Fan

### 6.5~7.0 CFM



Model	P/N	Bearing	Rating Voltage (VDC)	Power Current (AMP)	Power Consumption (WATTS)	Speed (RPM)	Air Flow (CFM)	Static Pressure (Inch-H <sub>2</sub> O)	Noise (dBA)	Weight (g)
GM0535PFV1-8	GN	● VAP0	5	0.15	0.8	9500	7.0	0.18	28	10.5
GM0535PFV2-8	GN	● 2BALL	5	0.10	0.5	7500	6.5	0.12	22	10.5
GM1235PFV1-8	GN	● VAP0	12	0.08	1.0	9500	7.0	0.18	28	10.5
GM1235PFV2-8	GN	● 2BALL	12	0.043	0.5	7500	6.5	0.12	22	10.5



\*All model could be customized on voltage or any other requirements to fit your need.

\*Specifications subject to change without notice. Please Visit SUNON web site at <http://www.sunon.com> for update information.