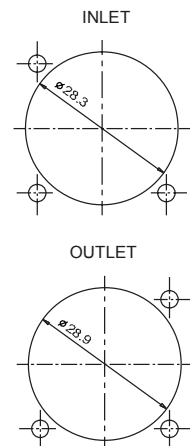
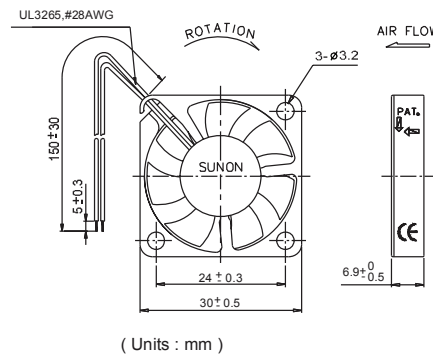
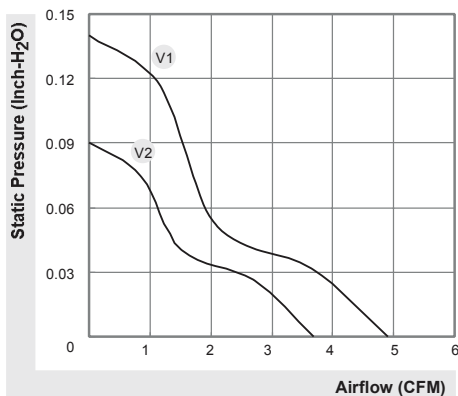


MagLev Green Motor Fan

3.7~4.9 CFM



Model	P/N	Bearing	Rating Voltage (VDC)	Power Current (AMP)	Power Consumption (WATTS)	Speed (RPM)	Air Flow (CFM)	Static Pressure (Inch-H ₂ O)	Noise (dBA)	Weight (g)
GM0503PEV1-8	N.GN	● VAP0	5	0.13	0.7	9500	4.9	0.14	28	6
GM0503PEV2-8	N.GN	⊙ 2BALL	5	0.08	0.4	7500	3.7	0.09	24	6



*All model could be customized on voltage or any other requirements to fit your need.

*Specifications subject to change without notice. Please Visit SUNON web site at <http://www.sunon.com> for update information.