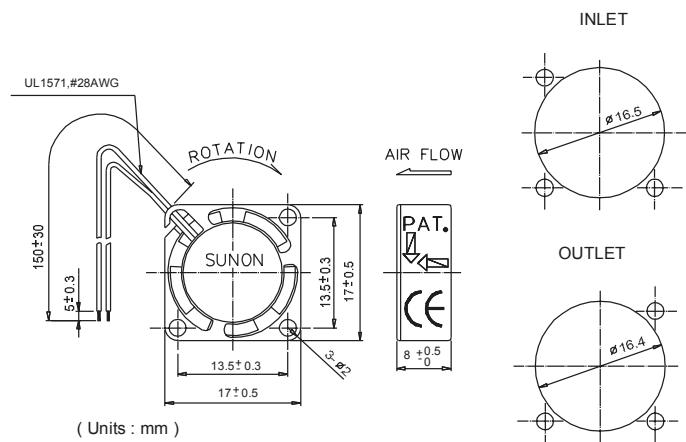
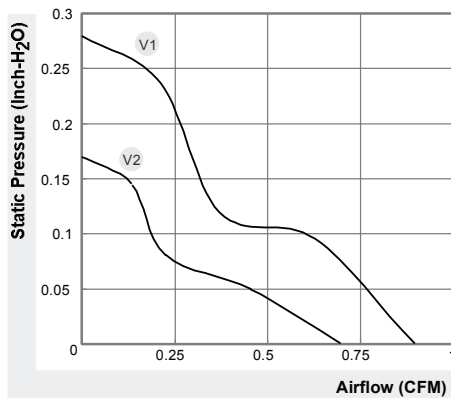


## MagLev Green Motor Fan

### 0.7~0.9 CFM



Model	P/N	Bearing	Rating Voltage (VDC)	Power Current (AMP)	Power Consumption (WATTS)	Speed (RPM)	Air Flow (CFM)	Static Pressure (Inch-H <sub>2</sub> O)	Noise (dBA)	Weight (g)
GM0517PDV1-8	GN	● VAPO	5	0.16	0.8	20000	0.9	0.28	25	4.36
GM0517PDV2-8	GN	● 2BALL	5	0.11	0.6	15000	0.7	0.17	16	4.36



\*All model could be customized on voltage or any other requirements to fit your need.

\*Specifications subject to change without notice. Please Visit SUNON web site at <http://www.sunon.com> for update information.

## Specifications

### INPUT SPECIFICATIONS:

Input Voltage Range.....	48V.....	36 – 75V
Under voltage lockout .....	48Vin power up .....	35V typ.
	power down .....	33V typ.
Input Filter .....		.LC Type
Positive / Negative Logic Remote on/off Control :		
Logic Compatibility.....		CMOS or Open Collector TTL
Module ON.....		Open Circuit or Logic High
Module OFF.....		<1.2VDC

### OUTPUT SPECIFICATIONS:

Voltage Accuracy.....		±1.0% max.
Transient Response :25% Step Load Change.....		<500u sec.
Ripple and Noise, 20MHz BW .....		100mV p-p max.
Temperature Coefficient.....		±0.03%/C max.
Short Circuit Protection.....		Continuous / Hiccup
Line Regulation, Note1.....		±0.2% max.
Load Regulation, Note2.....		±0.5% max.
Over Voltage Protection Trip Range, %Vo nom.....		115%-140%
External Trim Adj. Range.....		±10%
Current Limit.....		110% - 140% Nominal Output

### GENERAL SPECIFICATIONS:

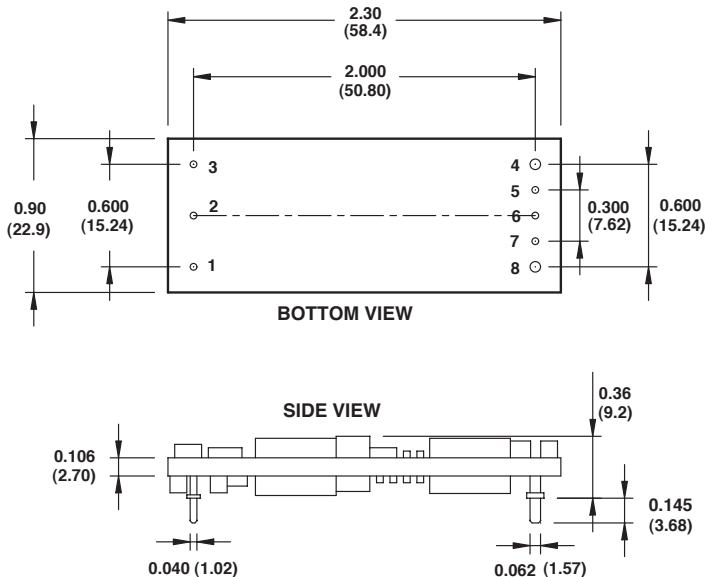
Efficiency.....	See Table
Isolation Voltage.....	2250 VDC min.
Isolation Resistance .....	10 <sup>7</sup> Ohms min.
Switching Frequency .....	250KHz typ.
Over Temperature Protection .....	120°C typ.
Operating Ambient Temperature Range.....	-40°C to +85°C
Power Derating Curve .....	refer to Application Note
Storage Temperature Range .....	-40°C to +125°C
Dimensions.....	2.3 x 0.9 x 0.36 inches (58.4 x 22.9 x 9.2 mm)
Weight.....	26g

### NOTE:

1. Measured From High Line to Low Line
2. Measured From Full Load to min. Load
3. Suffix "N" to the Model Number with Negative Logic Remote ON/OFF  
Module ON.....<1.2VDC  
Module OFF..... Open Circuit or Logic High
4. The output ripple and noise is measured with 10uF tantalum and 1uF Ceramic capacitor across output.

## SIZE EB

All Dimensions In Inches(mm)  
Tolerance .xx ±0.02 (.x ±0.5)  
.xxx ±0.010 (.xx ±0.25)



### PIN CONNECTION

Pin	Function
1	+Vin
2	ON/OFF
3	-Vin
4	-Vout
5	-SENSE
6	Trim
7	+SENSE
8	+Vout