
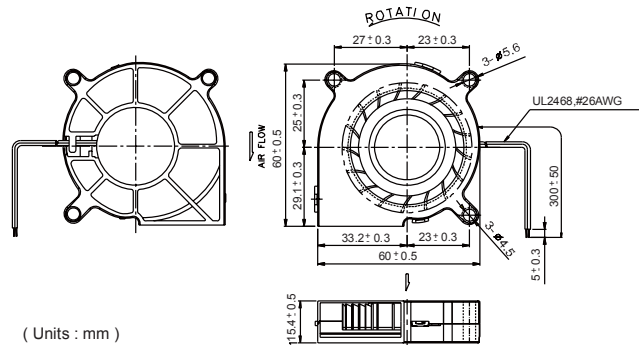
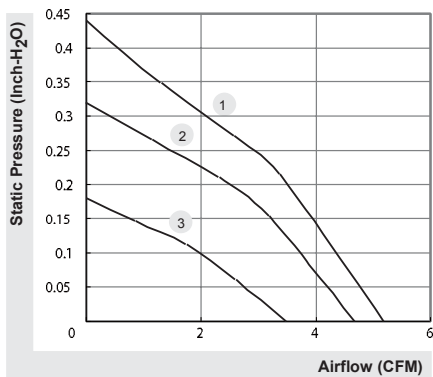


60x60x15 mm

3.5~5.2 CFM



	P/N	Bearing	Rating Voltage (VDC)	Power Current (AMP)	Power Consumption (WATTS)	Speed (RPM)	Air Flow (CFM)	Static Pressure (Inch-H ₂ O)	Noise (dBA)	Weight (g)	Curve	
												● VAPO
	GB1206PHV1-AY	GN	●	12	0.105	1.3	4800	5.2	0.44	40.5	45	1
	GB1206PHV2-AY	GN	●	12	0.07	0.8	4200	4.7	0.32	36.0	45	2
	GB1206PHV3-AY	GN	●	12	0.04	0.5	3200	3.5	0.18	29.0	45	3



*All model could be customized. Please contact with Sunon Sales.

*Specifications subject to change without notice. Please Visit SUNON web site at <http://www.sunon.com> for update information.