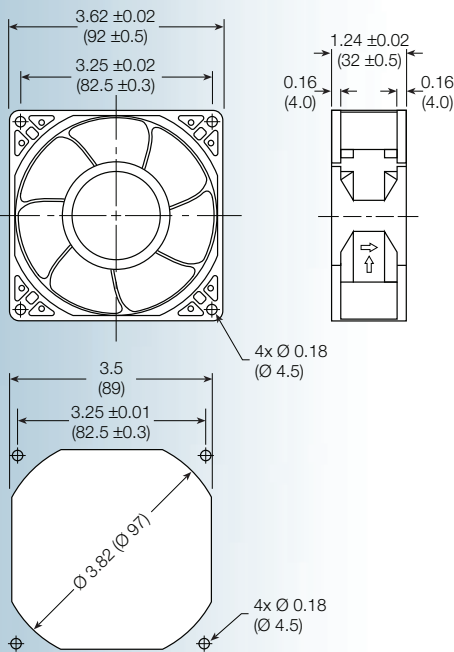


DC

G9232 series



**Size: (92 x 92 x 32 mm)
3.62 x 3.62 x 1.24 inches**

Construction: UL94V-0 PBT impeller & frame

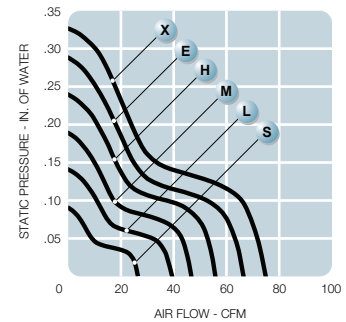
Bearing option: ball bearing

Connection: AWG 24, UL1007 lead wires

Frame: flanged

Protection: thermal

Options: tachometer output signal;
locked rotor alarm signal;
thermistor speed control



Model No.	Rated Voltage V	Current mA			Revolution RPM	Air Volume		Max Static Pressure (H ₂ O)		Sound Noise dBA	Weight g
		5	12	24		M ³ /Min	CFM	MM	INCH		
G9232S	5/12/24	330	100	60	2,000	0.87	31	2.25	0.09	25	5.25
G9232L	5/12/24	480	170	90	2,400	1.10	39	3.50	0.14	28	5.25
G9232M	12/24	-	270	140	2,800	1.33	47	4.75	0.19	32	5.25
G9232H	12/24	-	360	200	3,200	1.61	57	6.00	0.24	36	5.25
G9232E	12/24	-	520	270	3,600	1.87	66	7.25	0.29	40	5.25
G9232X	12/24	-	680	360	4,000	2.12	75	8.25	0.33	44	5.25