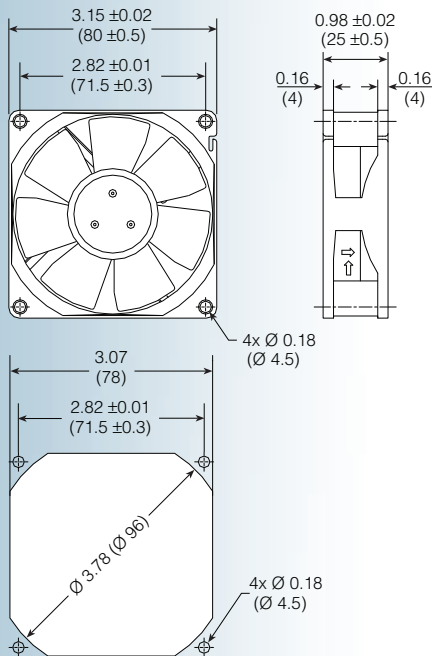


DC

G8025-E series



**Size: (80 x 80 x 25 mm)
3.15 x 3.15 x 0.98 inches**

Construction: UL94V-0 PBT impeller & frame

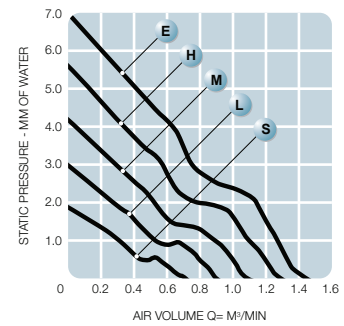
Bearing option: ball bearing

Connection: AWG 24, UL1007 lead wires

Frame: flanged or ribbed

Protection: thermal

Options: tachometer output signal;
locked rotor alarm signal;
PWM duty control



Model No.	Rated Voltage V	Current mA		Revolution RPM	Air Volume		Max Static Pressure (H ₂ O)		Sound Noise dBA	Weight g
		12	24		M ³ /Min	CFM	MM	INCH		
G8025S-E	12/24	120	70	2,000	0.73	26	1.90	0.07	22	79
G8025L-E	12/24	180	90	2,500	0.92	32	3.00	0.12	26	79
G8025M-E	12/24	250	150	3,000	1.10	39	4.20	0.17	30	79
G8025H-E	12/24	400	230	3,500	1.36	48	5.60	0.22	35	79
G8025E-E	12/24	600	300	4,000	1.47	52	7.00	0.28	39	79