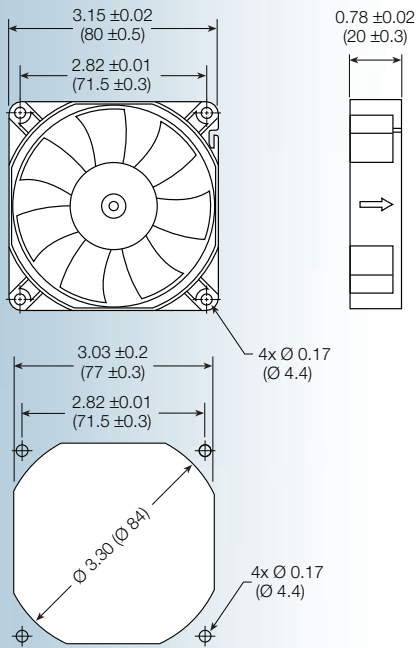


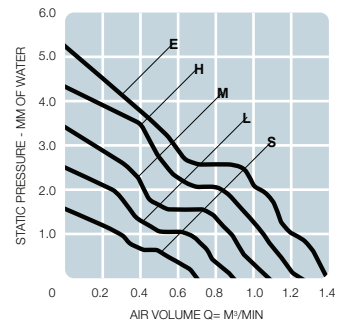
DC

**G8020 series**



**Size: (80 x 80 x 20 mm)  
3.15 x 3.15 x 0.79 inches**

- Features:** *high pressure impeller design*
- Construction:** UL94V-0 PBT impeller & frame
- Bearing option:** ball bearing
- Connection:** AWG 26, UL1007 lead wires
- Frame:** ribbed
- Protection:** thermal
- Options:** tachometer output or locked rotor alarm signal



Model No.	Rated Voltage V	Current mA			Revolution RPM	Air Volume		Max Static Pressure (H <sub>2</sub> O)		Sound Noise dBA	Weight g
		5	12	24		M <sup>3</sup> /Min	CFM	MM	INCH		
<b>G8020S</b>	5/12/24	200	70	60	2,000	0.69	24	1.53	0.06	22	61
<b>G8020L</b>	5/12/24	300	110	75	2,500	0.88	31	2.45	0.10	25	61
<b>G8020M</b>	5/12/24	400	160	90	3,000	1.07	38	3.37	0.13	29	61
<b>G8020H</b>	12/24	-	230	140	3,500	1.23	43	4.29	0.17	33	61
<b>G8020E</b>	12/24	-	330	200	4,000	1.39	49	5.20	0.20	37	61