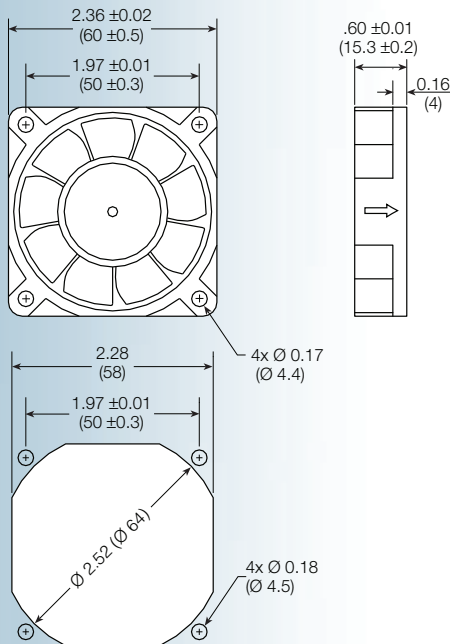


DC

G6015-G series



**Size: (60 x 60 x 15 mm)
2.36 x 2.36 x 0.59 inches**

Features: *high static pressure impeller design*

Construction: UL94V-0 PBT impeller & frame

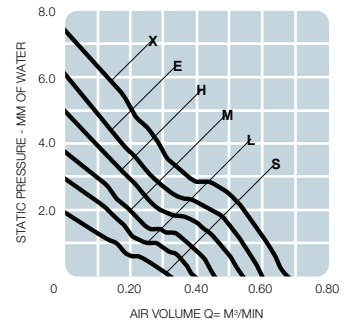
Bearing option: ball bearing

Connection: AWG 26, UL1007 lead wires

Frame: ribbed

Protection: thermal

Options: tachometer output or locked rotor alarm signal



| Model No. | Rated Voltage V | Current mA | | | Revolution RPM | Air Volume | | Max Static Pressure (H ₂ O) | | Sound Noise dBA | Weight g |
|-----------------|--------------------|---------------|-----|-----|-------------------|---------------------|------|--|------|--------------------|-------------|
| | | 5 | 12 | 24 | | M ³ /Min | CFM | MM | INCH | | |
| G6015S-G | 5/12 | 90 | 70 | - | 2,800 | 0.32 | 11.0 | 1.94 | 0.08 | 21 | 35 |
| G6015L-G | 5/12/24 | 130 | 90 | 65 | 3,400 | 0.39 | 14.0 | 2.96 | 0.12 | 25 | 35 |
| G6015M-G | 5/12/24 | 220 | 110 | 75 | 4,000 | 0.46 | 16.0 | 3.78 | 0.15 | 28 | 35 |
| G6015H-G | 5/12/24 | 280 | 130 | 95 | 4,600 | 0.54 | 19.0 | 5.00 | 0.20 | 30 | 35 |
| G6015E-G | 5/12/24 | 350 | 180 | 110 | 5,200 | 0.60 | 21.0 | 6.12 | 0.24 | 32 | 35 |
| G6015X-G | 12/24 | - | 230 | 130 | 5,800 | 0.68 | 24.0 | 7.45 | 0.29 | 35 | 35 |