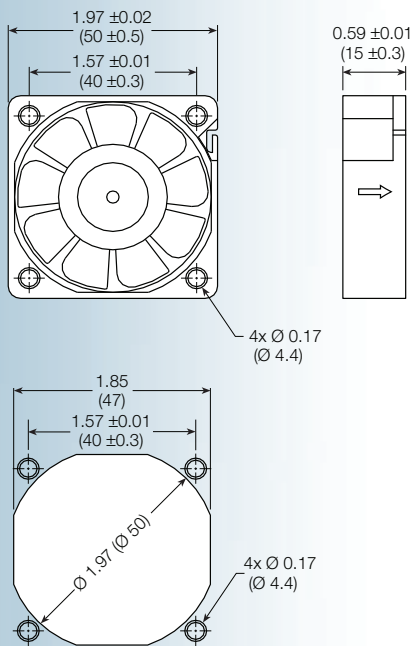


DC

**G5015 series**



**Size: (50 x 50 x 15 mm)  
1.97 x 1.97 x 0.59 inches**

**Construction:** UL94V-0 PBT impeller & frame

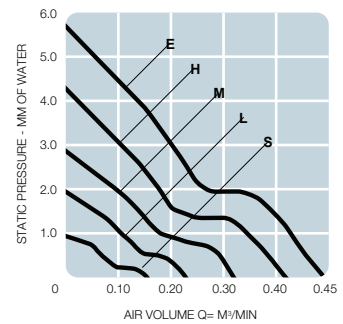
**Bearing option:** ball bearing

**Connection:** AWG 26, UL1061 lead wires

**Frame:** ribbed

**Protection:** thermal

**Options:** tachometer output or  
locked rotor alarm signal



Model No.	Rated Voltage V	Current mA			Revolution RPM	Air Volume		Max Static Pressure (H <sub>2</sub> O)		Sound Noise dBA	Weight g
		5	12	24		M <sup>3</sup> /Min	CFM	MM	INCH		
<b>G5015S</b>	5/12/24	150	80	70	2,500	0.15	5.00	0.92	0.04	20	20
<b>G5015L</b>	5/12/24	220	130	100	3,500	0.22	8.00	1.94	0.08	22	20
<b>G5015M</b>	5/12/24	300	200	140	4,500	0.31	11.00	2.86	0.11	24	20
<b>G5015H</b>	5/12/24	400	280	180	5,500	0.37	13.00	4.29	0.17	29	20
<b>G5015E</b>	12/24	-	400	250	6,500	0.44	16.00	5.71	0.22	34	20