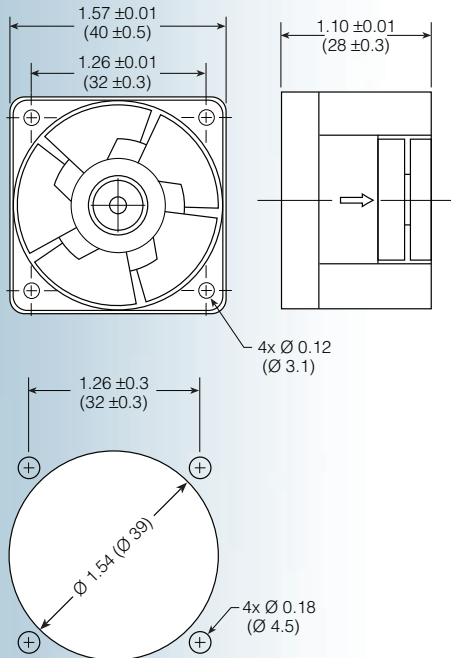


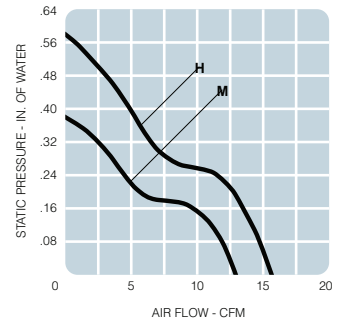
DC

**G4028 series**



**Size: (40 x 40 x 28 mm)  
1.57 x 1.57 x 1.10 inches**

- Features:** *unique x-frame design*
- Construction:** UL94V-0 PBT impeller & frame
- Bearing option:** ball bearing
- Connection:** AWG 26, UL1007 lead wires
- Frame:** x-frame, ribbed
- Protection:** thermal
- Options:** tachometer output or locked rotor alarm signal



Model No.	Rated Voltage V	Operating Voltage V	Current mA	Revolution RPM	Air Volume		Max Static Pressure (H <sub>2</sub> O)		Sound Noise dBA	Weight g
					M <sup>3</sup> /Min	CFM	MM	INCH		
<b>G4028M</b>	12	8 - 14	200	8,000	0.37	13.0	9.30	0.37	37	50
<b>G4028H</b>	12	8 - 14	400	10,000	0.46	16.0	14.40	0.57	41	50
<b>G4028M</b>	24	15 - 28	150	8,000	0.37	13.0	9.30	0.37	37	50
<b>G4028H</b>	24	15 - 28	250	10,000	0.46	16.0	14.40	0.57	41	50