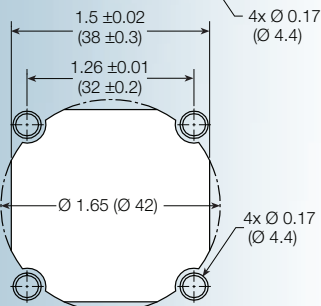
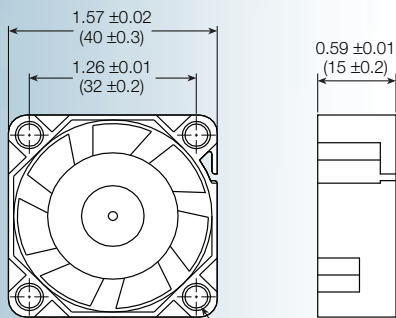


DC

**G4015 series**



**Size: (40 x 40 x 15 mm)  
1.57 x 1.57 x 0.59 inches**

**Construction:** UL94V-0 PBT impeller & frame

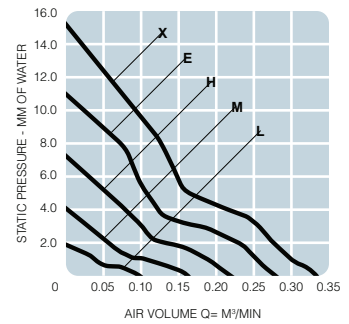
**Bearing option:** ball bearing

**Connection:** AWG 26, UL1061 lead wires

**Frame:** ribbed

**Protection:** thermal

**Options:** tachometer output or  
locked rotor alarm signal



Model No.	Rated Voltage V	Current mA			Revolution RPM	Air Volume		Max Static Pressure (H <sub>2</sub> O)		Sound Noise dBA	Weight g
		5	12	24		M <sup>3</sup> /Min	CFM	MM	INCH		
<b>G4015L</b>	5/12/24	200	80	50	4,000	0.10	4.00	1.84	0.07	20	25
<b>G4015M</b>	5/12/24	300	130	70	6,000	0.16	6.00	4.08	0.16	23	25
<b>G4015H</b>	5/12/24	400	200	90	8,000	0.22	8.00	7.24	0.29	29	25
<b>G4015E</b>	12/24	-	270	110	10,000	0.28	10.00	11.02	0.43	35	25
<b>G4015X</b>	12/24	-	350	160	12,000	0.33	12.00	15.31	0.60	39	25