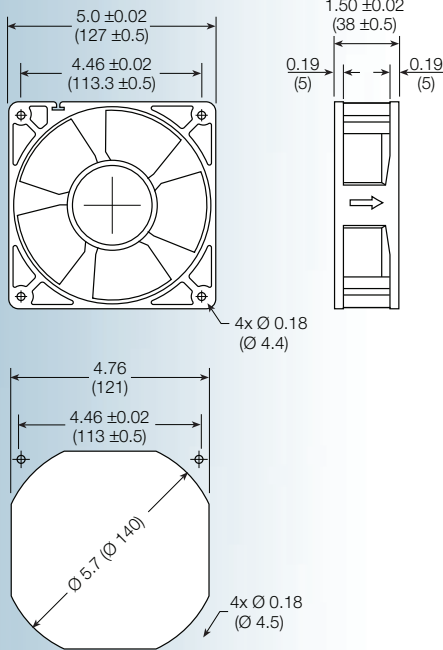


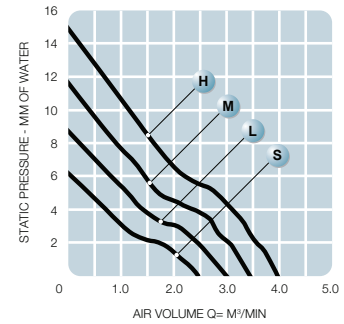
DC

G1338 series



**Size: (127 x 127 x 38 mm)
5 x 5 x 1.5 inches**

- Features:** *brass bearing stand*
- Construction:** UL94V-0 PBT impeller & frame
- Bearing option:** ball bearing
- Connection:** AWG 24, 1007 lead wires
- Frame:** flanged
- Protection:** thermal
- Options:** tachometer output or locked rotor alarm signal (open collector)



| Model No. | Rated Voltage V | Current mA | | | Revolution RPM | Air Volume | | Max Static Pressure (H ₂ O) | | Sound Noise dBA | Weight g |
|---------------|--------------------|---------------|-----|-----|-------------------|---------------------|-----|--|------|--------------------|-------------|
| | | 12 | 24 | 48 | | M ³ /Min | CFM | MM | INCH | | |
| G1338S | 12/24/48 | 350 | 220 | 130 | 2,000 | 2.46 | 87 | 6.22 | 0.24 | 37 | 291 |
| G1338L | 12/24/48 | 550 | 330 | 180 | 2,400 | 3.00 | 106 | 8.77 | 0.35 | 42 | 291 |
| G1338M | 12/24/48 | 850 | 480 | 250 | 2,800 | 3.46 | 122 | 11.73 | 0.46 | 46 | 291 |
| G1338H | 12/24/48 | 1200 | 650 | 330 | 3,200 | 3.99 | 141 | 15.10 | 0.59 | 49 | 291 |