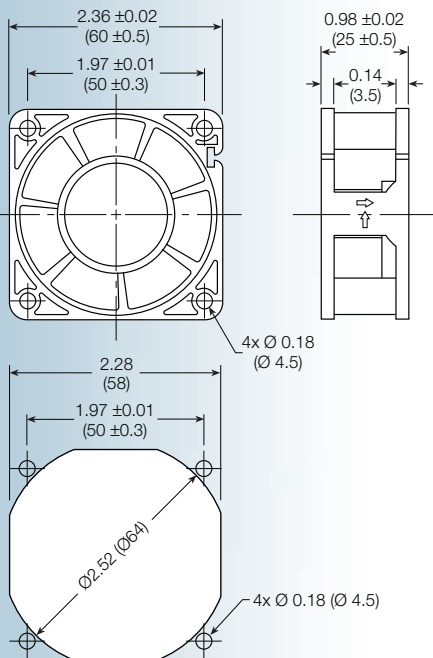


DC

**F6025-H series**



**Size: (60 x 60 x 25 mm)  
2.36 x 2.36 x 0.98 inches**

**Features:** *electronic locked rotor sensor, auto-restart, reverse polarity protection*

**Construction:** UL94V-0 PBT impeller & frame

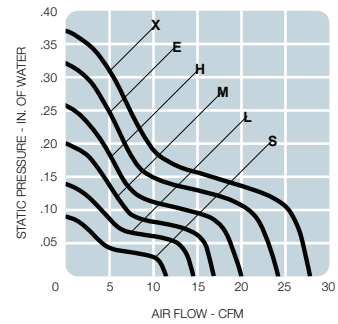
**Bearing option:** ball bearing

**Connection:** AWG 24, UL1007 lead wires

**Frame:** flanged or ribbed

**Protection:** thermal

**Options:** tachometer output signal;  
locked rotor alarm signal;  
thermistor speed control



Model No.	Rated Voltage V	Current mA		Revolution RPM	Air Volume		Max Static Pressure (H <sub>2</sub> O)		Sound Noise dBA	Weight g
		12	24		M <sup>3</sup> /Min	CFM	MM	INCH		
<b>F6025S-H</b>	12/24	75	40	2,400	0.33	12	2.25	0.09	22	2.47
<b>F6025L-H</b>	12/24	85	45	3,000	0.39	14	3.50	0.14	25	2.47
<b>F6025M-H</b>	12/24	95	55	3,600	0.48	17	5.00	0.20	28	2.47
<b>F6025H-H</b>	12/24	140	80	4,200	0.57	20	6.50	0.26	32	2.47
<b>F6025E-H</b>	12/24	230	125	5,000	0.67	24	8.00	0.32	37	2.47
<b>F6025X-H</b>	12/24	330	170	5,800	0.79	28	9.25	0.37	42	2.47