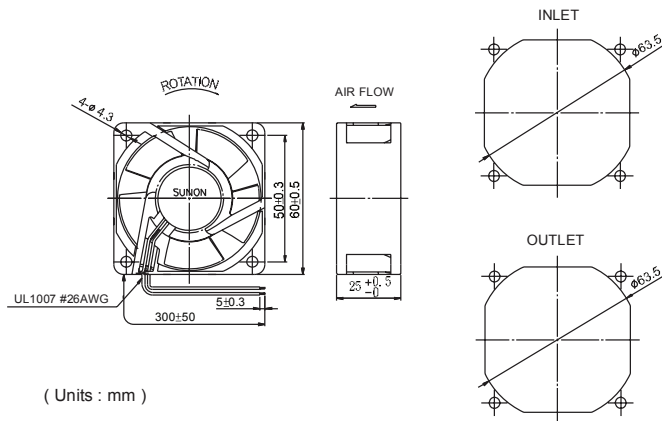
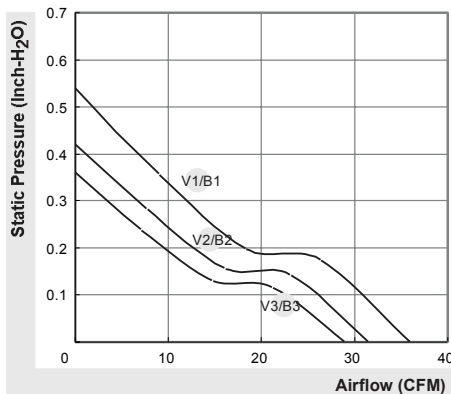


MagLev Power Motor Fan

29~40 CFM



Model	P/N	Bearing	Rating Voltage (VDC)	Power Current (AMP)	Power Consumption (WATTS)	Speed (RPM)	Air Flow (CFM)	Static Pressure (Inch-HzO)	Noise (dBA)	Weight (g)
PMD1206PTVX-A	U.GN	●	12	0.446	5.4	7600	40.0	0.64	45	75
PMD1206PTV1-A	U.GN	●	12	0.357	4.3	6900	36.0	0.54	43	75
PMD1206PTV2-A	U.GN	●	12	0.269	3.2	6100	31.5	0.42	41	75
PMD1206PTV3-A	U.GN	●	12	0.235	2.8	5600	29.0	0.36	37	75
PMD1206PTBX-A	(2).U.GN	⊙	12	0.41	4.9	7600	40.0	0.64	46	75
PMD1206PTB1-A	(2).U.GN	⊙	12	0.325	3.9	6900	36.0	0.54	44	75
PMD1206PTB2-A	(2).U.GN	⊙	12	0.258	3.1	6100	31.5	0.42	42	75
PMD1206PTB3-A	(2).U.GN	⊙	12	0.217	2.6	5600	29.0	0.36	38	75
PMD2406PTVX-A	U.GN	●	24	0.207	5.0	7600	40.0	0.64	45	75
PMD2406PTV1-A	U.GN	●	24	0.181	4.3	6900	36.0	0.54	43	75
PMD2406PTV2-A	U.GN	●	24	0.131	3.1	6100	31.5	0.42	41	75
PMD2406PTV3-A	U.GN	●	24	0.114	2.7	5600	29.0	0.36	37	75
PMD2406PTBX-A	(2).U.GN	⊙	24	0.197	4.7	7600	40.0	0.64	46	75
PMD2406PTB1-A	(2).U.GN	⊙	24	0.158	3.8	6900	36.0	0.54	44	75
PMD2406PTB2-A	(2).U.GN	⊙	24	0.121	2.9	6100	31.5	0.42	42	75
PMD2406PTB3-A	(2).U.GN	⊙	24	0.104	2.5	5600	29.0	0.36	38	75
PMD4806PTVX-A	U.GN	●	48	0.114	5.5	7600	40.0	0.64	45	75
PMD4806PTV1-A	U.GN	●	48	0.099	4.8	6900	36.0	0.54	43	75
PMD4806PTV2-A	U.GN	●	48	0.078	3.7	6100	31.5	0.42	41	75
PMD4806PTV3-A	U.GN	●	48	0.069	3.3	5600	29.0	0.36	37	75
PMD4806PTBX-A	(2).U.GN	⊙	48	0.112	5.4	7600	40.0	0.64	46	75
PMD4806PTB1-A	(2).U.GN	⊙	48	0.09	4.3	6900	36.0	0.54	44	75
PMD4806PTB2-A	(2).U.GN	⊙	48	0.072	3.5	6100	31.5	0.42	42	75
PMD4806PTB3-A	(2).U.GN	⊙	48	0.068	3.3	5600	29.0	0.36	38	75



*All model could be customized on voltage or any other requirements to fit your need.