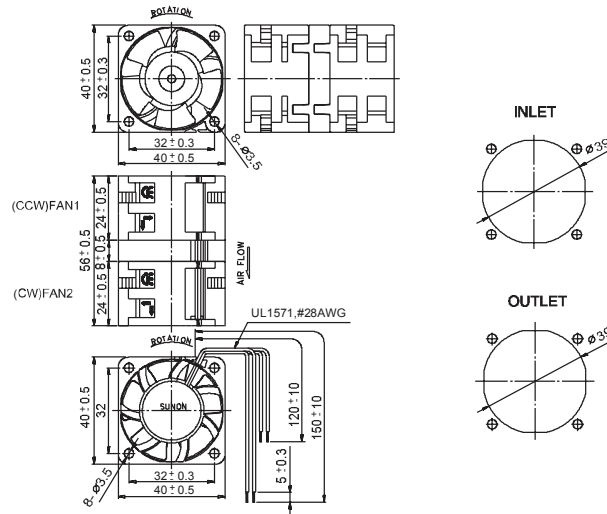
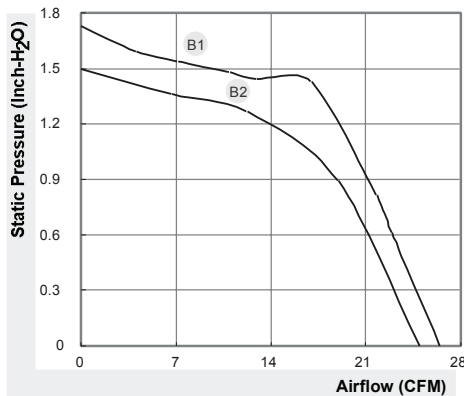


## Power Motor Fan

# 25~26.5 CFM



Model	P/N	Bearing	Rating Voltage (VDC)	Power Current (AMP)	Power Consumption (WATTS)	Speed (RPM)	Air Flow (CFM)	Static Pressure (Inch-HzO)	Noise (dBA)	Weight (g)
PMD1204PPB1-A	(2).GN	● VAPO	12	1.4	16.8	14500/9500	26.5	1.73	59	88.4
PMD1204PPB2-A	(2).GN	● 2BALL	12	1.1	13.2	13000/9500	25.0	1.50	58	88.2
PMD1204PPB3-A	(2).GN	● 2BALL	12	0.71	8.5	11000/8000	21.2	1.12	55.1	82.0



( Units : mm )

\*All model could be customized on voltage or any other requirements to fit your need.

\*Specifications subject to change without notice. Please Visit SUNON web site at <http://www.sunon.com> for update information