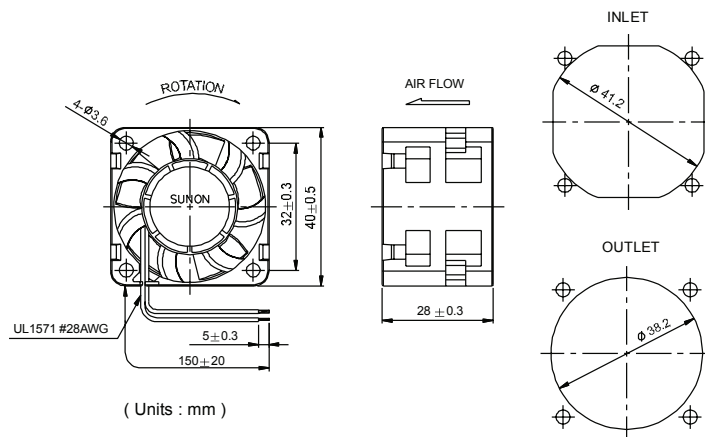
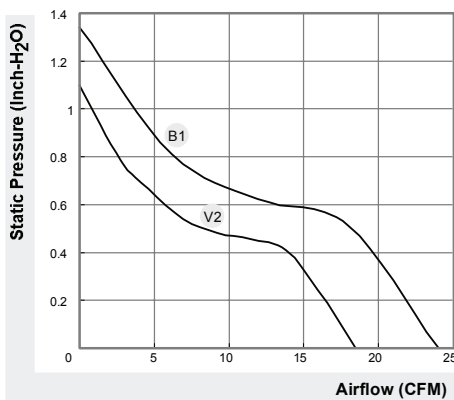


# Power Motor Fan

## 18.5~24 CFM



Model	P/N	Bearing	Rating Voltage (VDC)	Power Current (AMP)	Power Consumption (WATTS)	Speed (RPM)	Air Flow (CFM)	Static Pressure (Inch-H <sub>2</sub> O)	Noise (dBA)	Weight (g)
PMD1204PQB1-A	(2).U.GN	● VAPO	12	0.72	8.6	15000	24.0	1.34	55.5	46
PMD1204PQV2-A	U.GN	● 2BALL	12	0.57	6.8	13000	18.5	1.10	53	46



\*All model could be customized on voltage or any other requirements to fit your need.

\*Specifications subject to change without notice. Please Visit SUNON web site at <http://www.sunon.com> for update information.