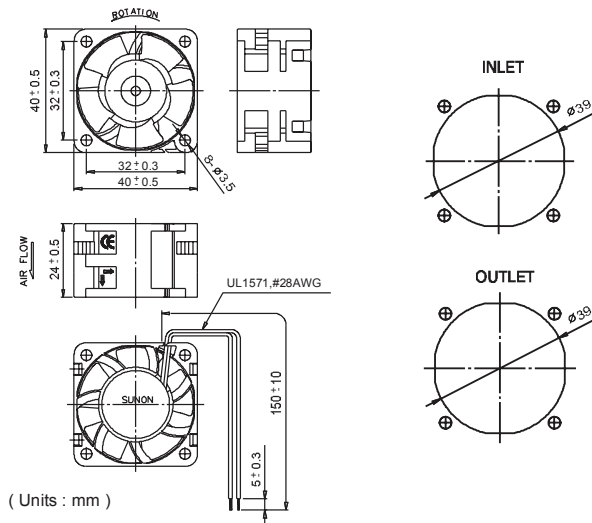
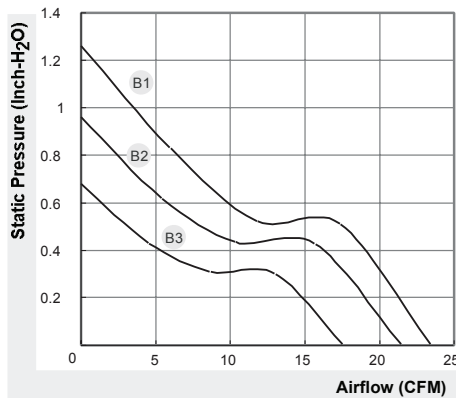


Power Motor Fan

17.6~23.5 CFM



Model	P/N	Bearing	Rating Voltage (VDC)	Power Current (AMP)	Power Consumption (WATTS)	Speed (RPM)	Air Flow (CFM)	Static Pressure (Inch-H ₂ O)	Noise (dBA)	Weight (g)
PMD1204PBB1-A	(2).GN	● VAPO	12	0.78	9.4	14500	23.5	1.26	55.0	41.6
PMD1204PBB2-A	(2).GN	● 2BALL	12	0.57	6.8	13000	21.5	0.96	52.0	41.6
PMD1204PBB3-A	(2).GN	● 2BALL	12	0.39	4.7	11000	17.6	0.68	47.0	40.5



*All model could be customized on voltage or any other requirements to fit your need.

*Specifications subject to change without notice. Please Visit SUNON web site at <http://www.sunon.com> for update information.