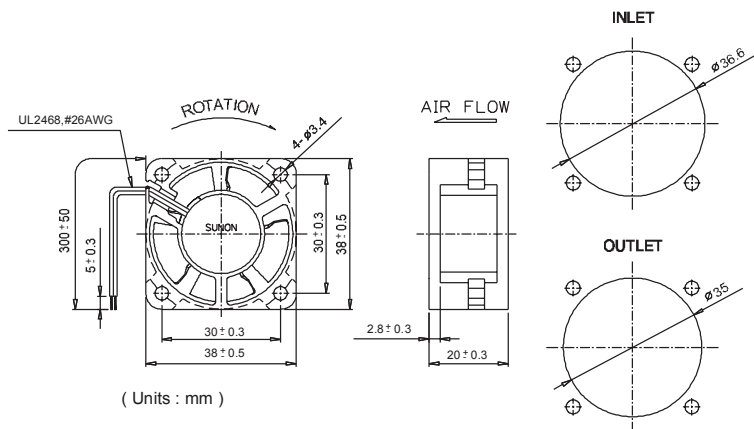
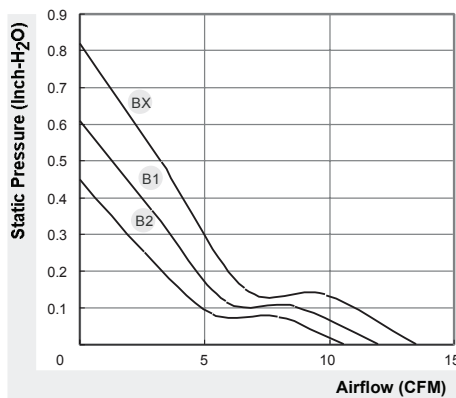


Power Motor Fan

10.6~13.5 CFM



Model	P/N	Bearing ● VAPO ⊙ 2BALL	Rating Voltage (VDC)	Power Current (AMP)	Power Consumption (WATTS)	Speed (RPM)	Air Flow (CFM)	Static Pressure (Inch-H ₂ O)	Noise (dBA)	Weight (g)
PMD1238PKBX-A	(2).GN	⊙	12	0.36	4.3	15000	13.5	0.82	48.0	27
PMD1238PKB1-A	(2).GN	⊙	12	0.26	3.1	13000	12.0	0.61	44.0	27
PMD1238PKB2-A	(2).GN	⊙	12	0.21	2.5	11000	10.6	0.45	39.0	27



*All model could be customized on voltage or any other requirements to fit your need.

*Specifications subject to change without notice. Please Visit SUNON web site at <http://www.sunon.com> for update information