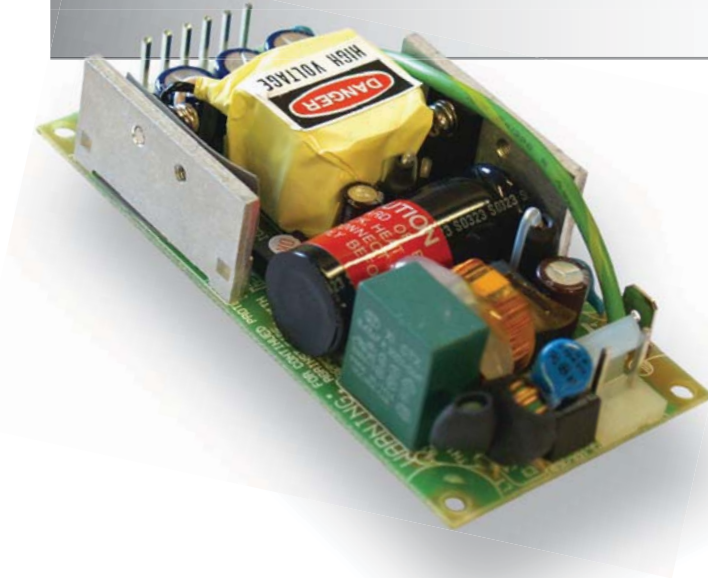


## APS63VI SERIES:



### 45~80 Watt Switcher

- 4.00 x 2.00 x 0.92" Open Frame PCB

#### Features:

- Universal AC Input
- EN6100-3-2 Class B Compliant
- International Safety Approvals
- 2 Year Warranty

#### INPUT:

|                  |                                   |
|------------------|-----------------------------------|
| Input Voltage    | Universal Input (90~264 VAC)      |
| Input Frequency  | 47-63Hz                           |
| Inrush Current   | 12.00ArmsA @ 240 VAC Cold Start   |
| Input Current    | 0.9A (max continuous)             |
| Input Protection | Single Fuse                       |
| Hold-Up Time     | 11.2mS @ 115 VAC / 72mS @ 230 VAC |
| Leakage Current  | <420µA @ 230 VAC Maximum          |

#### GENERAL:

|                       |   |
|-----------------------|---|
| Efficiency            | 80~90% minimum  |
| Operating Temperature | 0-50°C Full Load, derate linearly to 50% Load at 70°C |
| Storage Temperature   | -20°C to +85°C  |
| Over-Temp Protection  | >85°C Shutdown (Ambient)                              |
| Cooling               | 5 cfm Airflow   |
| Operating Humidity    | 5-90% RH, Non-Condensing                              |
| Vibration             | 5 ~ 50 Hz, acceleration 7.35 m/s*s on X,Y and Z Axis  |
| MTBF                  | >100k Hrs (according to MIL-HBK-217F) at 30°C         |

#### OUTPUT:

|                          |   |
|--------------------------|---|
| Adjustment Range         | Fixed at Factory                                  |
| Minimum Load             | V1only (±10)                                      |
| Regulation               | V1 = ±1%, V2 = ±3~8%, V3 = ±5% max                |
| Ripple & Noise           | ±1% typical pk-pk @ 20MHz                         |
| Overload Protection      | 115-140% of max power (Hiccup Mode)               |
| Over Voltage             | Latching before 130% of nominal (V1 only)         |
| Short Circuit Protection | Trip without damage & auto-recovery               |
| Overshoot                | Turn-on & off overshoot < 5% over nominal voltage |

#### EMC:

|                         |  |
|-------------------------|--|
| Electrostatic Discharge | EN61000-4-2, ±4KV Contact / ±8KV Air Discharge |
| Radiated Susceptibility | EN61000-4-3, 26-1000MHz, 10V/M, 80% AM         |
| EFT / Bursts            | EN61000-4-4, ±2KV                              |
| Surges                  | EN61000-4-5, ±2KV Line-Earth, ±1KV Line-Line   |
| Conducted Immunity      | EN61000-4-6, 0.15-800MHz, 10V, 80% AM          |
| Voltage Dips            | EN61000-4-10, 95% Dip & 10ms, 30% Dip & 500ms  |
| Voltage Interruptions   | EN61000-4-11, 95% reduction, 5s                |
| Fluctuations & Flicker  | EN61000-3-3                                    |

#### APPROVALS:

Emissions EN55022 "B", FCC Part 15 Subject J Class B

Safety Approvals cTUVus EN60950-1  
CE Mark (LVD)

## APS63VI Series:

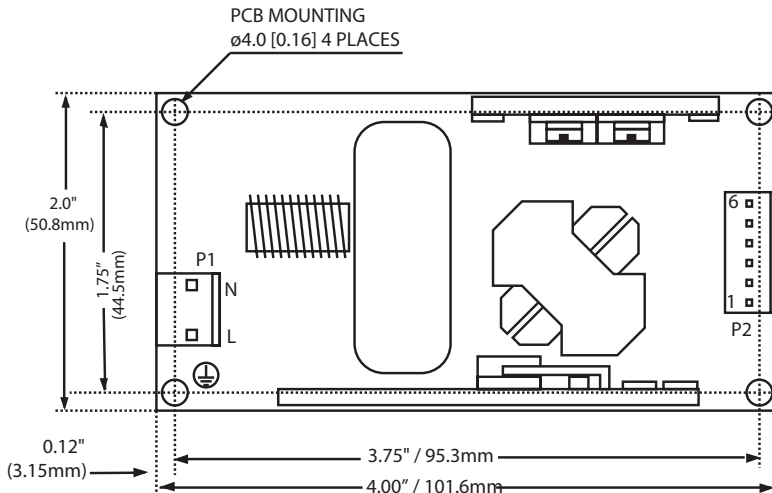
**Output Specifications:**

| Model:            | V1         | A1        | V2          | A2          | V3   | A3   | Max Power Convection | Max Power with Airflow |
|-------------------|------------|-----------|-------------|-------------|------|------|----------------------|------------------------|
| APS63VI-S033100   | 3.3V       | 10A       |             |             |      |      | 25W                  | 33W*                   |
| APS63VI-S050100   | 5.0V       | 10A       |             |             |      |      | 30W                  | 50W*                   |
| APS63VI-S120050   | 12V        | 5.00A     |             |             |      |      | 40W                  | 65W*                   |
| APS63VI-S150040   | 15V        | 4.00A     |             |             |      |      | 40W                  | 65W*                   |
| APS63VI-S240025   | 24V        | 2.50A     |             |             |      |      | 40W                  | 65W*                   |
| APS63MI-S480125   | 48V        | 1.25A     |             |             |      |      | 40W                  | 65W*                   |
| <b>APS63VI-21</b> | <b>+5V</b> | <b>6A</b> | <b>+12V</b> | <b>4.5A</b> |      |      | <b>60W</b>           | <b>80W**</b>           |
| APS63VI-T050II *  | +5V        | 8A        | +12V        | 3.0A        | -12V | 0.5A | 40W                  | 65W*                   |
| APS63VI-T050MI *  | +5V        | 8A        | +24V        | 1.5A        | -12V | 0.5A | 40W                  | 65W*                   |
| APS63VI-T050KK *  | +5V        | 8A        | +15V        | 2.5A        | -15V | 0.5A | 40W                  | 65W*                   |
| APS63VI-T033EI ** | +3.3V      | 8A        | +5V         | 3A          | -12V | 0.5A | 30W                  | 48W*                   |

\* Minimum airflow of 5 cfm required for ratings with airflow

\*\* Minimum airflow of 20 cfm required for ratings with airflow

**OUTLINE DRAWING:**



**Connectors / Pin Assignments**

Mating Connector is Molex 5195 / 5239 Series

**INPUT CONNECTION:**

| Pin  | Function |
|------|----------|
| P1-L | LINE     |
| P1-N | NEUTRAL  |

**OUTPUT CONNECTION:**

| PIN  | --- FUNCTIONS --- |         |
|------|-------------------|---------|
|      | SINGLES           | TRIPLES |
| P2-1 | V1 OUT            | V1 OUT  |
| P2-2 | V1 OUT            | V1 OUT  |
| P2-3 | DC COM            | DC COM  |
| P2-4 | DC COM            | DC COM  |
| P2-5 | -                 | V3 OUT  |
| P2-6 | -                 | V2 OUT  |

